

> VA SERIES

三爪中實油壓夾頭 (包含連接板)



3-JAW WEDGE TYPE NON THROUGH HOLE POWER CHUCK(WITH ADAPTOR)

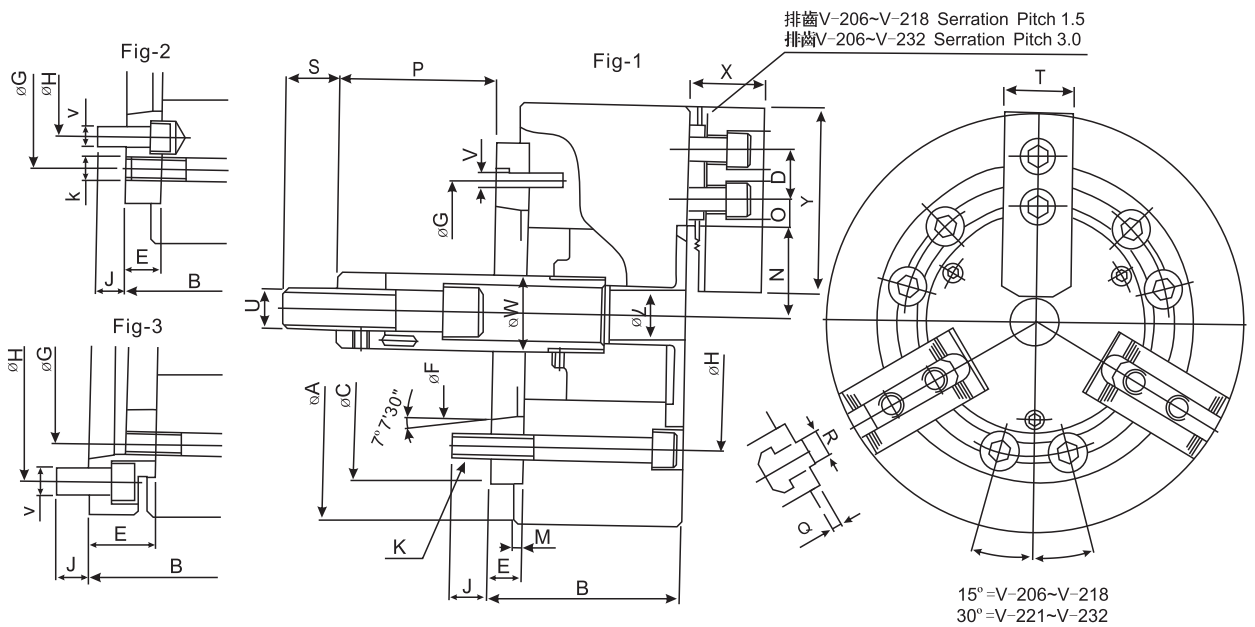
- ◎ 1.主軸配合件可採用ASA或DIN以搭配機器主軸。
- ◎ High performance :Similar high performance with N series.
- ◎ Chuck mounting screws :Metric or UNC socket head cap screws are supplied for installing the chuck to the spindle.
- ◎ Alternative spindle adaptors :ASA or DIN adaptors can be supplied as requested.

規格 / Specification

型式 Model	柱塞行程 Piston stroke (mm)	爪行程(直徑) Jaw stroke dia (mm)	最大拉杆推力 Max DB pull (kgf)	最大夾持力(Kgf) Max clamping force	最大使用油壓力 Max oil pressure (kgf/cm ²)	最高回轉速 max r.p.m	重量 Weight (kg)	慣性矩 kg·m ²	適合油壓缸 Matched cylinders	適合硬爪 Matched HJ	適合生爪 Matched HC	外徑夾持範圍 Clamping range (mm)
V-206A5	20	9.2	1835	5253	26.5	5200	13.2	0.05	MS105C	HJ06	HC06	Ø18-Ø165
V-206A6	20	9.2	1835	5253	26.5	5200	15.8	0.059	MS105C	HJ06	HC06	Ø18-Ø165
V-208A5	21	9.7	2549	7648	25.5	4500	25.8	0.154	MS125C	HJ08	HC08	Ø26-Ø210
V-208A6	21	9.7	2549	7648	25.5	4500	25	0.149	MS150C	HJ08	HC08	Ø26-Ø210
V-208A8	21	9.7	2549	7648	25.5	4500	29.3	0.175	MS200C	HJ08	HC08	Ø26-Ø210
V-210A6	25	8.8	2957	11013	28.6	4000	40.5	0.35	MS200C	HJ10	HC10	Ø26-Ø254
V-210A8	25	8.8	2957	11013	28.6	4000	37.5	0.33	MS200C	HJ10	HC10	Ø26-Ø254
V-210A11	25	8.8	2597	11013	28.6	4000	47.9	0.417	MS200C	HJ10	HC10	Ø26-Ø254
V-212A6	30	10.5	4181	15907	27.5	3300	66.5	0.76	MS200C	HJ12-1	HC12-1	Ø26-Ø304
V-212A8	30	10.5	4181	15907	27.5	3300	64.4	0.75	MS200C	HJ12-1	HC12-1	Ø26-Ø304
V-212A11	30	10.5	4181	15907	27.5	3300	72.9	0.888	MS200C	HJ12-1	HC12-1	Ø26-Ø304
V-215A8	35	16	8362	25391	32.6	3000	115	2.05	MS200C	HJ15-1	HC15-1	Ø68-Ø381
V-215A11	35	16	8362	25391	32.6	3000	108	1.92	MS200C	HJ15-1	HC15-1	Ø68-Ø381
V-215A15	35	16	8362	25391	32.6	3000	128	2.281	MS200C	HJ15-1	HC15-1	Ø68-Ø381
V-218A8	35	16	8362	25391	32.6	2700	134	3.35	MS200C	HJ15-1	HC15-1	Ø130-Ø450
V-218A11	35	16	8362	25391	32.6	2700	122	3.05	MS200C	HJ15-1	HC15-1	Ø130-Ø450
V-218A15	35	16	8362	25391	32.6	2700	143	3.575	MS200C	HJ15-1	HC15-1	Ø130-Ø450
V-221A11	35	16	8362	27838	32.6	1940	200	6.58	MS200C	HJ24-1	HC24-1	Ø65-Ø530
V-221A15	35	16	8362	27838	32.6	1940	193	6.37	MS200C	HJ24-1	HC24-1	Ø65-Ø530
V-224A11	35	16	8362	27838	32.6	1760	239	7.6	MS200C	HJ24-1	HC24-1	Ø152-Ø610
V-224A15	35	16	8362	27838	32.6	1760	232	7.38	MS200C	HJ24-1	HC24-1	Ø152-Ø610
V-232A11	35	18.6	8362	27838	32.6	600	382	30	MS200C	HJ24-1	HC32-1	Ø100-Ø810
V-232A15	35	18.6	8362	27838	32.6	600	375	28	MS200C	HJ24-1	HC32-1	Ø100-Ø810

* 保留技術更改的權利，恕不另行通知 Subject to technology changes without prior information
 * 非標準需求可訂做 Non-standard requirements can be made





型式 Model	A	B	C	D	E	F	H	G	J	K	L	M	N max	O max	O min	p max	p min	Q	R	S	T	U	V	W	X	Y	參考圖 Ref
V-206A5	165	84	140	20	15	82.563	116	104.78	14	6-M10	21	5	38.7	15.25	9.25	89.6	69.6	4	12	36	31	M16×2.0	3-M6	34	39	73	Fig-1
V-206A6	165	104	140	20	35	106.375	104.78	133.35	16	6-M10	21	5	38.7	15.25	9.25	69.6	49.6	4	12	36	31	M16×2.0	6-M12	34	39	73	Fig-3
V-208A5	210	103	170	25	23	82.563	133.35	104.78	13	6-M12	25	5	46.85	22.25	11.75	109	88	5	14	36	35	M20×2.5	6-M10	38	41	95	Fig-2
V-208A6	210	97	170	25	17	106.375	150	133.35	18	6-M12	25	5	46.85	22.25	11.75	115	94	5	14	36	35	M20×2.5	3-M6	38	41	95	Fig-1
V-208A8	210	120	170	25	40	139.719	133.35	171.45	24	6-M12	25	5	46.85	22.25	11.75	92	71	5	14	36	35	M20×2.5	6-M16	38	41	95	Fig-3
V-210A6	254	109	220	30	25	106.375	171.45	133.35	18	6-M16	34	5	51.1	30.75	11.25	133	108	5	16	36	40	M20×2.5	6-M12	45	46	110	Fig-2
V-210A8	254	102	220	30	18	139.719	190	171.35	25	6-M16	34	5	51.1	30.75	11.25	140	115	5	16	36	40	M20×2.5	3-M8	45	46	110	Fig-1
V-210A11	254	134	220	30	50	196.869	171.45	235	28	6-M16	34	5	51.1	30.75	11.25	108	83	5	16	36	40	M20×2.5	6-M20	45	46	110	Fig-3
V-212A6	304	125	220	30	25	106.375	171.45	133.35	18	6-M16	34	6	61	48.75	12.75	138	108	5	18	36	50	M20×2.5	6-M12	50	54	130	Fig-2
V-212A8	304	118	220	30	18	139.719	190	171.45	25	6-M16	34	6	61	48.75	12.75	145	115	5	18	36	50	M20×2.5	3-M8	50	54	130	Fig-1
V-212A11	304	150	220	30	50	196.869	171.45	235	28	6-M16	34	6	61	48.75	12.75	113	83	5	18	36	50	M20×2.5	6-M20	50	54	130	Fig-3
V-215A8	381	141	300	43	33	139.719	235	171.35	24	6-M20	-	6	77.5	50.25	23.25	71	36	2	25.5	55	62	M30×3.5	6-M16	60	63	165	Fig-2
V-215A11	381	130	300	43	22	196.869	260	235	28	6-M20	-	6	77.5	50.25	23.5	82	47	2	25.5	55	62	M30×3.5	3-M10	60	63	165	Fig-1
V-215A15	381	165	300	43	57	285.775	235	330.2	24	6-M20	-	6	77.5	50.25	23.5	47	12	2	25.5	55	62	M30×3.5	6-M24	60	63	165	Fig-3
V-218A8	450	141	300	43	33	139.719	235	171.45	24	6-M20	-	6	108	50.25	23.5	59	24	2	25.5	55	62	M30×3.5	6-M16	60	63	165	Fig-2
V-218A11	450	130	300	43	22	196.869	260	235	28	6-M20	-	6	108	50.25	23.5	70	35	2	25.5	55	62	M30×3.5	3-M10	60	63	165	Fig-1
V-218A15	450	165	300	43	57	285.775	235	330.2	24	6-M20	-	6	108	50.25	23.5	105	70	2	25.5	55	62	M30×3.5	6-M24	60	63	165	Fig-3
V-221A11	530	146	380	60	27	196.869	330.2	235	30	6-M24	-	6	85	93.5	23.5	70	35	8	25	55	65	M30×3.5	6-M20	60	76	180	Fig-2
V-221A15	530	146	380	60	27	285.775	330.2	330.2	34	6-M24	-	6	85	93.5	24.5	70	35	8	25	55	65	M30×3.5	3-M12	60	76	180	Fig-1
V-224A11	610	146	380	60	27	196.869	330.2	235	30	6-M24	-	6	125	93.5	24.5	70	35	8	25	55	65	M30×3.5	6-M20	60	76	180	Fig-2
V-224A15	610	146	380	60	27	285.775	330.2	330.2	34	6-M24	-	6	125	93.5	24.5	70	35	8	25	55	65	M30×3.5	3-M12	60	76	180	Fig-1
V-232A11	810	156	380	80	27	196.869	330.2	235	30	6-M24	-	6	104.8	196.5	25.5	47	12	9	25	60	74	M30×3.5	6-M20	60	97	210	Fig-2
V-232A15	810	156	380	80	27	285.775	330.2	330.2	33	6-M24	-	6	104.8	196.5	25.5	47	12	9	25	60	74	M30×3.5	3-M12	60	97	210	Fig-1

* 保留技術更改的權利，恕不另行通知 Subject to technology changes without prior information
 * 非標需求可訂做 Non-standard requirements can be made